

WOOD-X™



Lakeside Construction Fasteners offer a full line of innovative wood fasteners for post frame and residential applications. The **T17 WOOD-X™** is designed for all types of decking substrate materials including hard woods. The engineered **T17 WOOD-X™** high-low threads along with the sharp cut point allows the fastener to quickly penetrate the metal panel for easier fastener installation!

T17 WOOD-X™ SYSTEM:

- Miami Dade County Approved!
- H-LOW™ threads for Speed of Installation!
- T17 Cut point developed for High Performance!
- Engineered head flute resists High Torque Environments!
- Innovative L3 Dura Protec™ coating to prevent Red Rust!
- EPDM washer for a Positive Seal!



LAKE SIDE

CONSTRUCTION FASTENERS

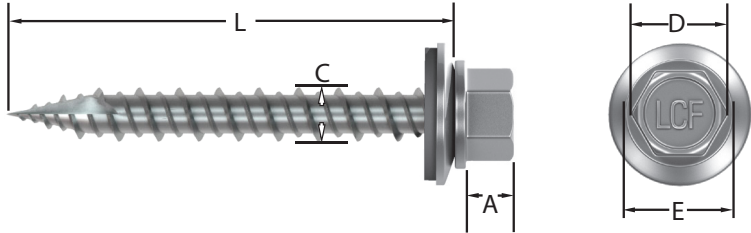


To purchase contact us at:
1203 Goldsmith Road, Paragould, AR 72450
870-586-0703 (office) | 870-586-0643 (fax)
800-537-4160 (toll free)
www.lakeside-fasteners.com

**“Lakeside Construction
Fasteners Providing
Alternative Fastener
Solutions!”™**



Fastener Dia.: #10
Head Size: 1/4"
Threads: 14 per inch
Innovation: Reinforced Flute under fastener head
 H-Low™ Threads
Cut Point: Type-17
Material: C1022
Washer: EPDM
Coating
System: L3 Dura Protec™



Part #	L	A	C	D	E
1010---EWLPSG	1"	.140	.198	1/4"	.340
1015---EWLPSG	1 1/2"	.140	.198	1/4"	.340
1020---EWLPSG	2"	.140	.198	1/4"	.340
1025---EWLPSG	2 1/2"	.150	.199	1/4"	.350
1030---EWLPSG	3"	.150	.199	1/4"	.350
1040---EWLPSG	4"	.150	.199	1/4"	.350

Standard Options:



Customized Options:

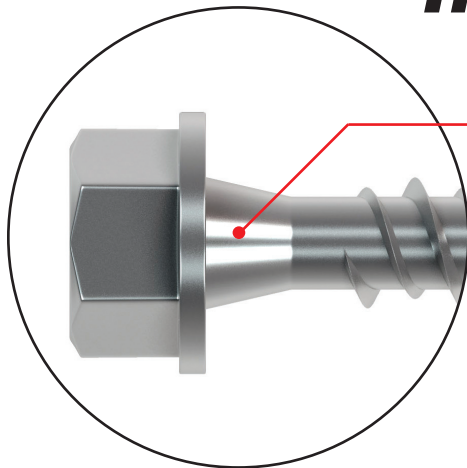


PULLOUT TEST VALUES					
	PLYWOOD		OSB	SOUTHERN PINE	
1/2"	5/8"	3/4"	7/16"	1"	1-1/2"
425	600	725	325	735	1205

Fastener Type	Torsional	Shear	Tensile
#10 T17 WOOD-X™	70 in lbs.	1900 lbs.	2300 lbs.

#8 and #9 Self-Tappers Available Upon Request.

Industry Fastener Leader!



• **Reinforced Flute under fastener head!**

T17 WOOD-X™ flute located under the head of the fastener is engineered and reinforced for high torque environments. With quality a major focus for Lakeside Construction Fasteners the **T17 WOOD-X™** can be used with all battery operated screw guns including **Impact Screw Guns!** The **T17 WOOD-X™** is the fastener of choice by contractors for post frame and residential applications!



To purchase contact us at:
 1203 Goldsmith Road, Paragould, AR 72450
870-586-0703 (office) | 870-586-0643 (fax)
800-537-4160 (toll free)
www.lakeside-fasteners.com

