

SD3

STEEL-X™



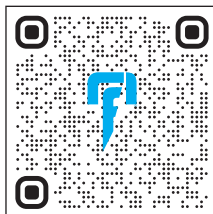
Lakeside Construction Fasteners offer a full line of innovative self-drilling fasteners for steel frame and industrial applications. The **SD3 STEEL-X™** is designed for all types of metal decking substrate material. The engineered **SD3 STEEL-X™** threads along with the self-drill point allows the fastener to quickly penetrate the metal panel for easier fastener installation and no metal curls.

SD3 STEEL-X™ SYSTEM:

- Engineered Self Drilling Point for Ease of Installation!
- Penetrates 10 Ga., 12 Ga. & 14 Ga. Steel!
- EPDM Flat Bonded Washer Promoting a Weather-Tite Seal!
- Innovative L3 Dura Protec™ Coating prevents Red Rust!
- Hardened Tap Threads Reduces Torque!
- Innovative HEX Head Design prevents wobble with LCF Quick Drill Technologies!



LCF 5/16" Nutsetter

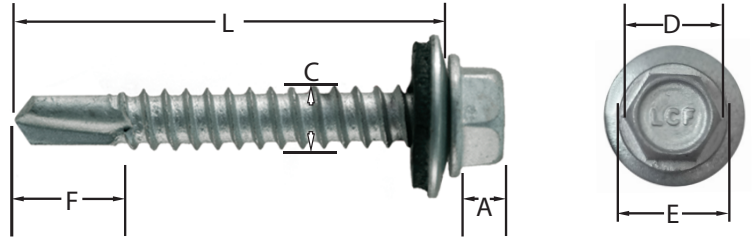


To purchase contact us at:
1203 Goldsmith Road, Paragould, AR 72450
870-586-0703 (office) | 870-586-0643 (fax)
800-537-4160 (toll free)
www.lakeside-fasteners.com

Lakeside Construction Fasteners Providing Alternative Fastener and Foam Solutions!™



Fastener Dia.: #12
Head Size: 5/16"
Threads: 14 per inch
Innovation: Penetrates 10 Ga., 12 Ga. & 14 Ga. Steel
Cut Point: True Self Driller #3
Material: C1022
Washer: EPDM, Flat Bonded
Coating System: L3 Dura Protec™



Part #	L	A	C	D	E	F
1234250EW4SD3SG	3/4" (Stitch)	.150	.210	5/16"	.310	.420
1210250EW2SD3SG	1"	.150	.210	5/16"	.310	.420
1214250EW2SD3SG	1 1/4"	.150	.210	5/16"	.310	.420
1215250EW2SD3SG	1 1/2"	.150	.210	5/16"	.310	.420
1220250EW2SD3SG	2"	.150	.210	5/16"	.310	.420
1225250EW2SD3SG	2 1/2"	.150	.210	5/16"	.310	.420
1230250EW2SD3SG	3"	.150	.210	5/16"	.310	.420

Standard Options:



Wet Paint



Customized Options:



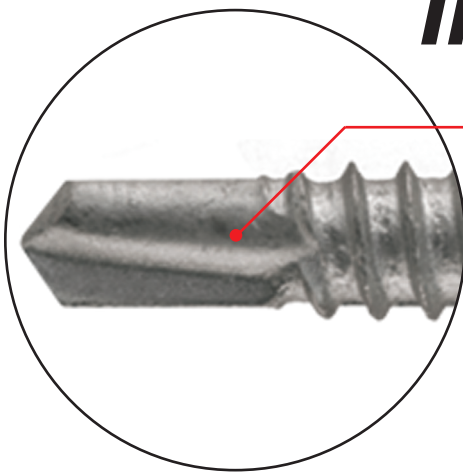
Powder Coat



PULLOUT TEST VALUES					
Size	Drill Point	Gauge			
12-14	SD3	12	14	16	20
--	--	2020	1300	1000	525

Fastener Type	Torsional	Shear	Tensile
STEEL-X™	152 in lbs.	2150 lbs.	3,105 lbs.

Industry Fastener Leader!



• Innovative Forged Self Driller for Quick Cutting Power!

Available without washers!



FOLLOW US ON



To purchase contact us at:
 1203 Goldsmith Road, Paragould, AR 72450
 870-586-0703 (office) | 870-586-0643 (fax)
 800-537-4160 (toll free)
www.lakeside-fasteners.com